

Series VT6E * - 066 - 3 R 00 - A 1 *

Y - Metric port connection, Omit for UNC

Cam ring

Volumetric displacement cm^3/rev (in^3/rev)

042 = 132.3 (8.07)
 045 = 142.4 (8.69)
 050 = 158.5 (9.67)
 052 = 164.8 (10.06)
 057 = 180.7 (11.02)
 062 = 196.7 (12.00)
 066 = 213.3 (13.02)
 072 = 227.1 (13.86)
 085 = 269.8 (16.46)

Type of shaft

1 - keyed (SAE CC)
 2 - keyed (no SAE)
 3 - splined (SAE C)
 4 - splined (SAE CC)
 T - splined (SAE J718C)

Modifications

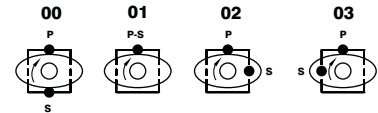
Seal class

- 1 - S1 (for mineral oil)
- 4 - S4 (for fire resistant fluids)
- 5 - S5 (for mineral oil and fire resistant fluids)

Design letter

Porting combination

00 - standard



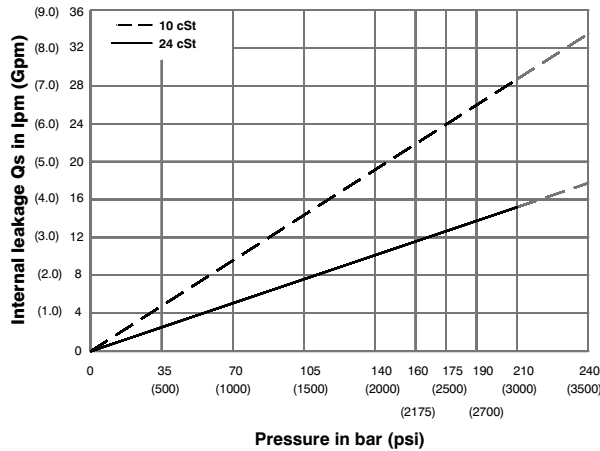
S - Suction port P - Pressure port

Direction of rotation (view on shaft end)

- R - clockwise
- L - counter-clockwise

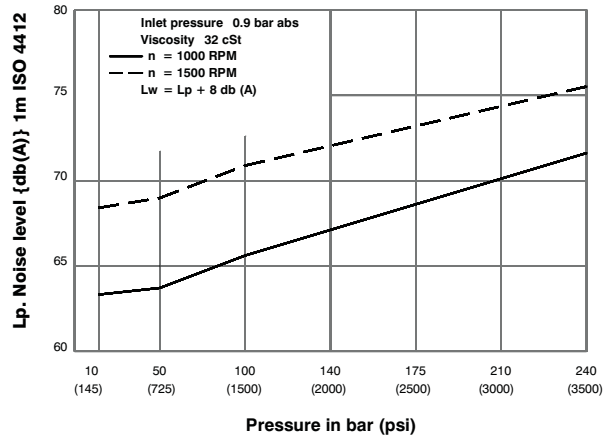
VP
SP

INTERNAL LEAKAGE (TYPICAL)

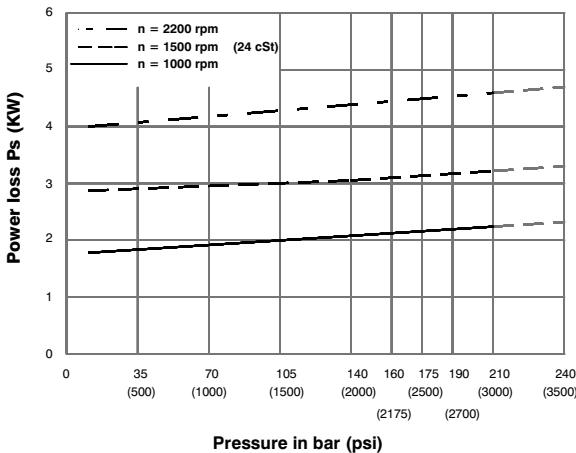


NOISE LEVEL (TYPICAL)

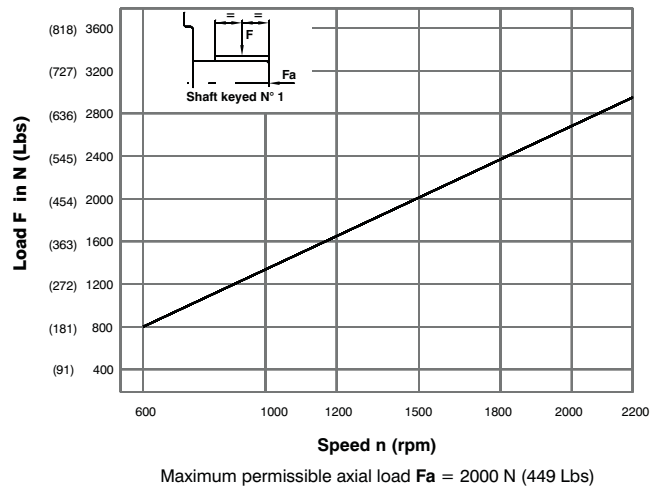
VT6E - 050

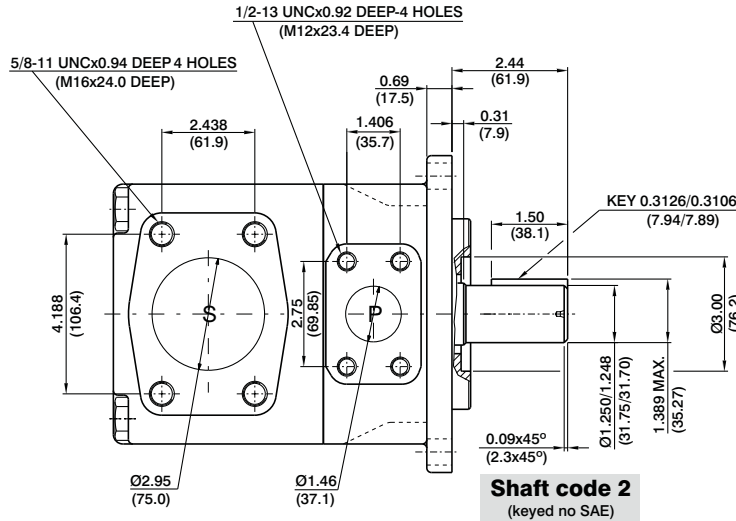


HYDROMECHANICAL POWER LOSS (TYPICAL)

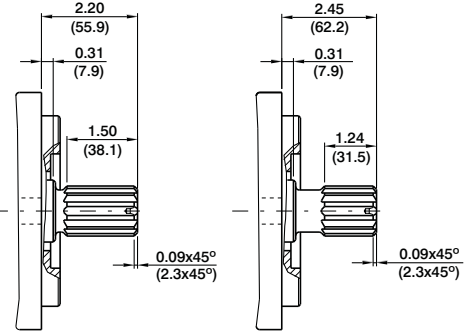


PERMISSIBLE RADIAL LOAD



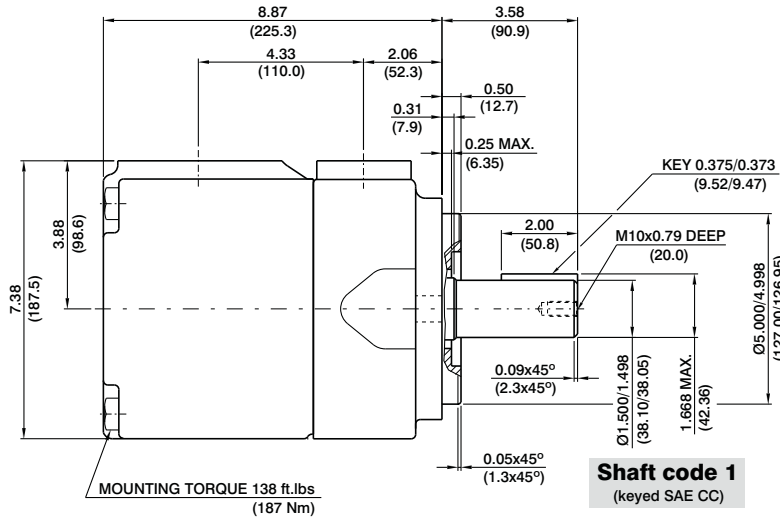


Shaft code 2
(keyed no SAE)



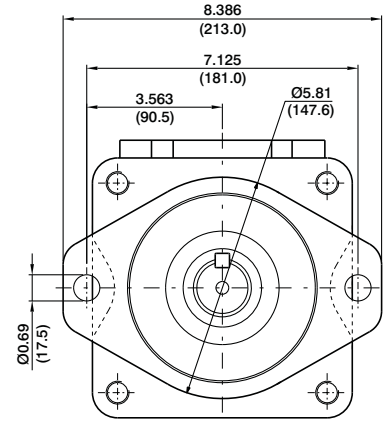
Shaft code 3
SAE C splined shaft
Class 1-J498b
12/24 dp. 14 teeth
30° pressure angle
flat root side fit

Shaft code 4
SAE CC splined shaft
Class 1-J498b
12/24 dp. 17 teeth
30° pressure angle
flat root side fit

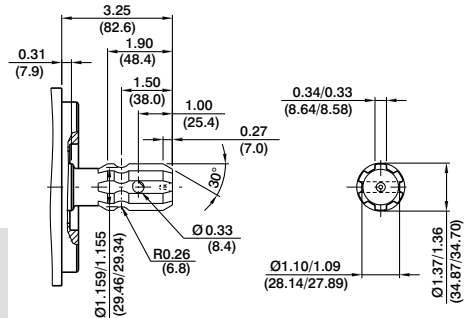


Shaft code 1
(keyed SAE CC)

MOUNTING TORQUE 138 ft.lbs (187 Nm)



Shaft torque limits in ³ /rev x psi (ml/rev x bar)	
Shaft	V _p x p max.
1	48273 (54555)
2	30638 (34590)
3	54207 (61200)
4	54207 (61200)



Shaft code T
SAE J718C
540 rpm power take-off
For Farm Tractor application

OPERATING CHARACTERISTICS - TYPICAL (24 cST)

Pressure port	Series	Volumetric Displacement V _p		Flow q & n = 1500 rpm						Input power p & n = 1500 rpm					
				p = 0 bar (0 psi)		p = 140 bar (2000 psi)		p = 240 bar (3500 psi)		p = 7 bar (100 psi)		p = 140 bar (2000 psi)		p = 240 bar (3500 psi)	
				in ³ /rev	cm ³ /rev	gpm	lpm	gpm	lpm	gpm	lpm	hp	kw	hp	kw
VT6E	042	8.07	132.3	52.50	198.5	49.87	188.5	47.96	181.3	6.97	5.2	66.25	49.4	110.77	82.6
	045	8.70	142.4	56.51	213.6	53.86	203.6	51.98	196.5	7.24	5.4	70.94	52.9	118.95	88.7
	050	9.67	158.5	62.88	237.7	60.24	227.7	58.36	220.6	7.64	5.7	78.45	58.5	131.82	98.3
	052	10.00	164.8	65.40	247.2	62.75	237.2	60.87	230.1	7.78	5.8	81.53	60.8	136.92	102.1
	057	11.02	180.7	71.71	271.1	69.07	261.1	67.19	254.0	8.18	6.1	89.04	66.4	143.35	106.9
	062	12.00	196.7	78.04	295.0	75.40	285.0	73.52	277.9	8.58	6.4	96.42	71.9	162.67	121.3
	066	13.00	213.3	84.63	319.9	81.98	309.9	80.11	302.8	8.98	6.7	104.20	77.7	175.94	131.2
	072	13.86	227.1	90.11	340.6	87.46	330.6	85.58	323.5	9.25	6.9	110.77	82.6	187.07	139.5
	085 ^{1,2)}	16.40	269.8	107.00	404.7	105.21	397.7	--	--	9.78	7.3	87.56	65.3	--	--

1) 085 = 2000 RPM max. 2) 085 = 75 bar (1100 psi) cont. 085 = 90 bar (1300 psi) max. int.