

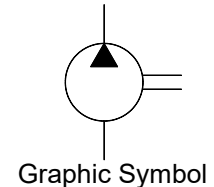
PG0-Series Gear Pumps

- High strength extruded aluminum body.
- Hardened and ground integral gear shaft.
- Special aluminum alloy bush bearing.
- Axially balanced for high volumetric efficiency in excess of 95%.



Specifications

Model Number	Geometric Displacement cm ³ /rev.	Maximum Pressure Kg/cm ²		Shaft Speed Range r/min.		Mass (Kg) (Approx.)
		Continuous	Intermittent	Max.	Min.	
PG0-100	1.0	210	230	3000	1000	1.5
PG0-160	1.6			3000	800	
PG0-210	2.1	200	220	3000	600	
PG0-320	3.2					
PG0-420	4.2	190	220			
PG0-530	5.3	180	210			
PG0-640	6.4	160	190			1.7



Model Number Designation

PG0	-100	-S	-1	-S	-B	-R	-30	80
Series	Size	Shaft	Mounting	Port	Drive Shaft Seal	Direction of Rotation (Viewed from Shaft End)	Design Number	Design Std.
PG0	100	P: Straight with Snap Ring	1: SAE 'A' 2 Bolt *1 2: SAE 'AA' 2 Bolt 3: Rectangular *2	P: BSPF Port F: Flange *1 S: SAE 'O' Ring Port *1	B: Nitrile V: *1 Viton	R: Clockwise L: Counter Clockwise	30	80
	160							
	210	S: Straight *1						
	320	T: Taper (1:8) *1						
	420 *1	U: Spline *1						
	530							
640								

*1 Consult factory for availability.

*2 Rectangular mounting available in T: Taper Shaft only.

Spare Parts List

List of Seals

Sl No.	Name of Parts	Part Numbers		Qty.
		Nitrile	Viton	
1	Back up seal	A200 01 35	A200 01 35	2
2	Body End Seal	A200 01 34	A200 01 36	2
3	Oil Seal	A200 01 13	A200 01 23	1

Seals

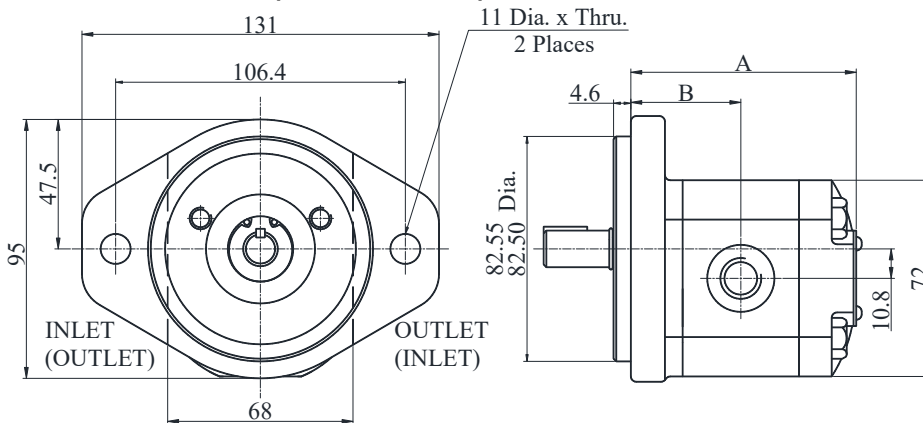
B: Nitrile (Temp. range:- 15°C + 80°C)
V: Viton (Temp. range:- 10°C + 140°C)

Note: When ordering the seals, please specify the seal kit number
KS-PG0-B for Nitrile
KS-PG0-V for Viton

DIMENSIONS IN MILLIMETRES

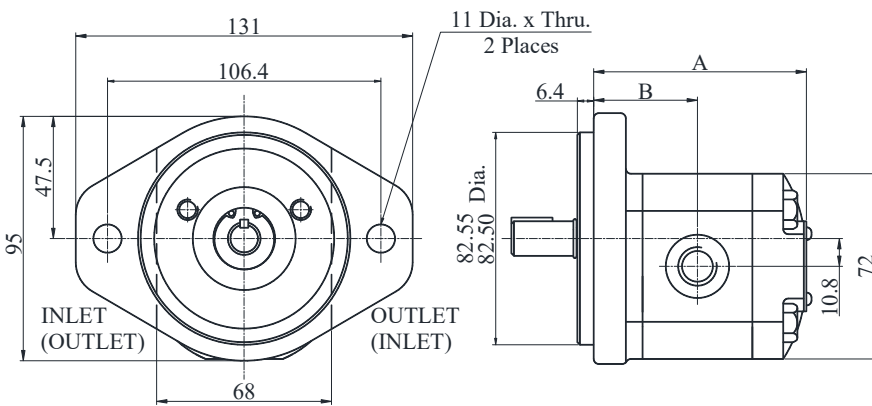
General Arrangement

SAE 'A' 2-Bolt (For 'P' Shaft)



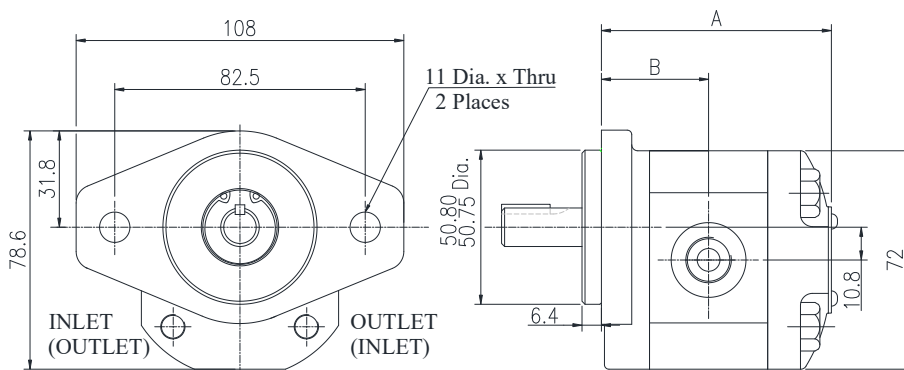
Model Number	A	B
PG0 - 100	72.2	35.1
PG0 - 160	74.8	36.4
PG0 - 210	77.0	37.5
PG0 - 320	81.9	40.0
PG0 - 420	86.3	42.2
PG0 - 530	91.1	44.6
PG0 - 640	95.9	47.0

SAE 'A' 2-Bolt (For 'S' Shaft)



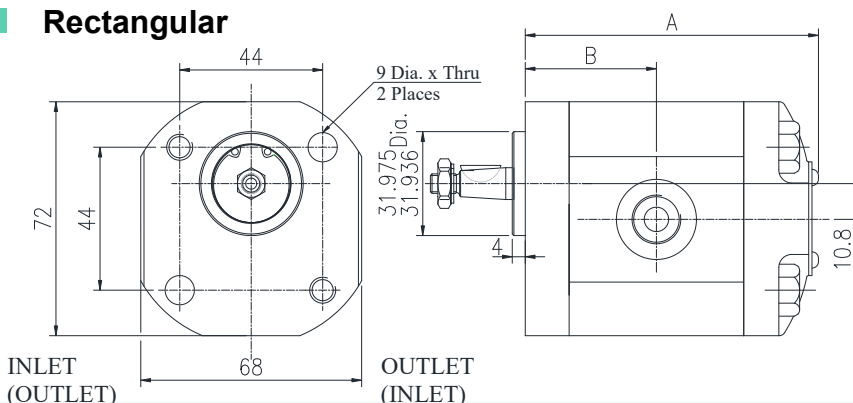
Model Number	A	B
PG0 - 100	72.2	35.1
PG0 - 160	74.8	36.4
PG0 - 210	77.0	37.5
PG0 - 320	81.9	40.0
PG0 - 420	86.3	42.2
PG0 - 530	91.1	44.6
PG0 - 640	95.9	47.0

SAE 'AA' 2 Bolt



Model Number	A	B
PG0 - 100	68.9	31.9
PG0 - 160	71.6	33.2
PG0 - 210	73.8	34.3
PG0 - 320	78.6	36.7
PG0 - 420	83.0	38.9
PG0 - 530	87.9	41.3
PG0 - 640	92.7	43.7

Rectangular

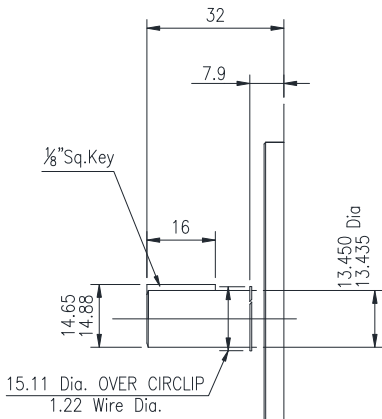


Model Number	A	B
PG0 - 100	66.6	29.6
PG0 - 160	69.3	30.9
PG0 - 210	71.5	32.0
PG0 - 320	76.3	34.4
PG0 - 420	80.7	36.6
PG0 - 530	85.6	39.0
PG0 - 640	90.4	41.4

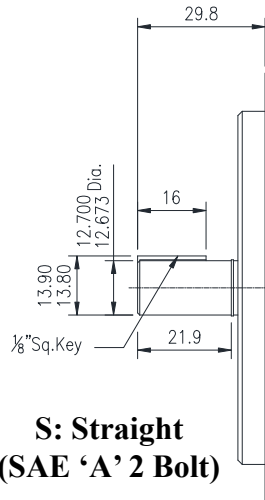
PG0 - Series Gear Pumps

DIMENSIONS IN MILLIMETRES

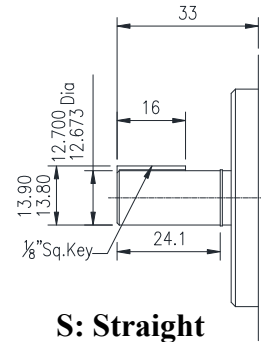
● Shaft Details



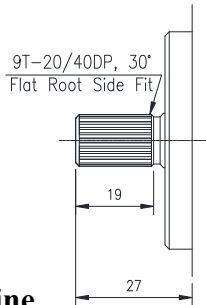
P: Straight with Snap Ring (SAE 'A' 2 Bolt)



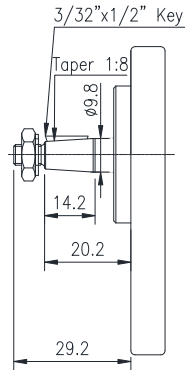
S: Straight (SAE 'A' 2 Bolt)



S: Straight (SAE 'AA' 2 Bolt)



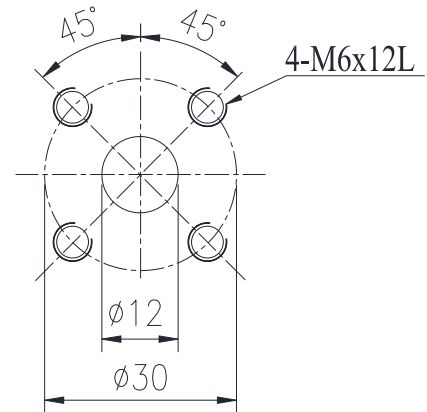
U: Spline



T: Taper

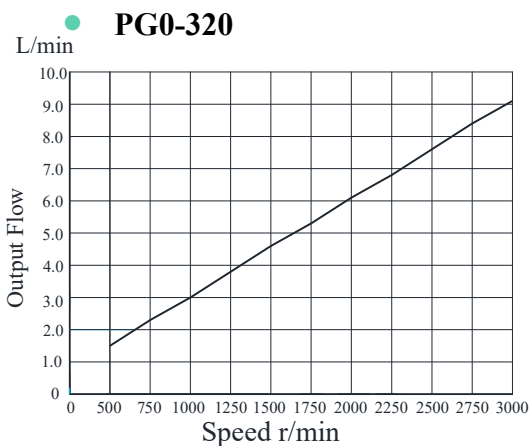
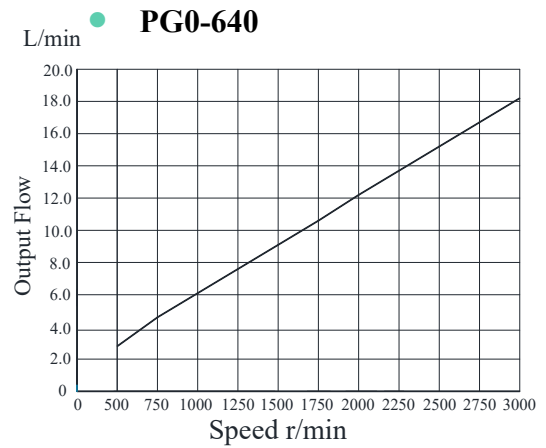
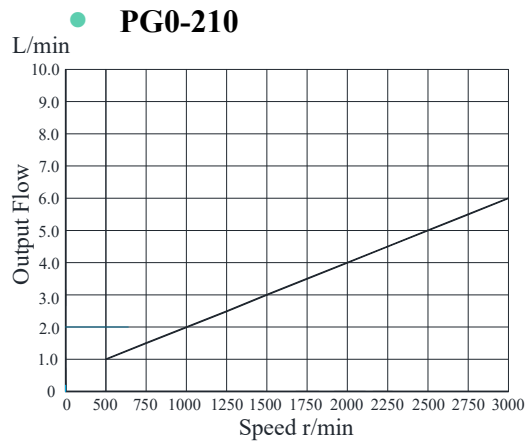
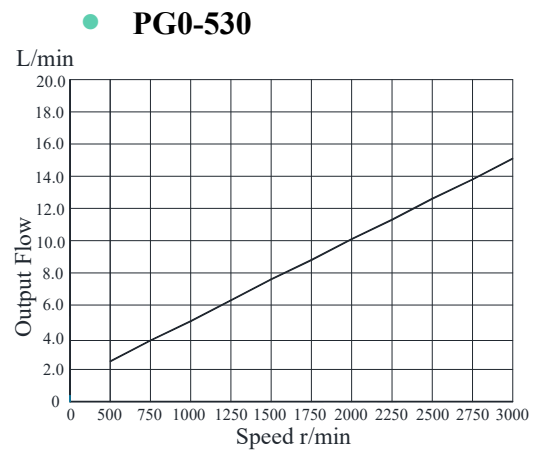
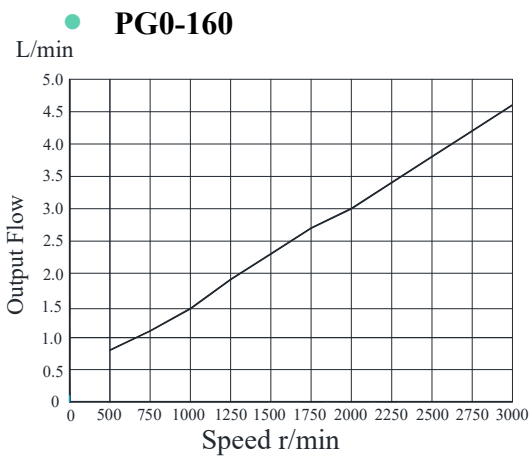
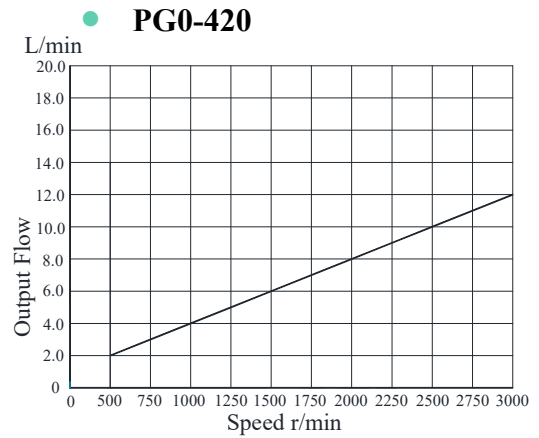
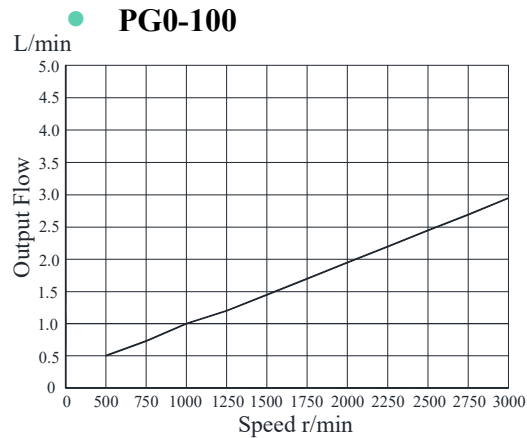
■ Ports

Model Number	P: BSP.F Ports		S: SAE O-Ring Ports		F: Flange	
	Inlet	Outlet	Inlet	Outlet	Inlet	Outlet
PG0-100	3/8"	3/8"	9/16"-18	9/16"-18	----	----
PG0-160	3/8"	3/8"	9/16"-18	9/16"-18	----	----
PG0-210	3/8"	3/8"	3/4"-16	3/4"-16	----	----
PG0-320	3/8"	3/8"	3/4"-16	3/4"-16	Ø12	Ø12
PG0-420	1/2"	1/2"	3/4"-16	3/4"-16	Ø12	Ø12
PG0-530	1/2"	1/2"	7/8"-14	7/8"-14	Ø12	Ø12
PG0-640	1/2"	1/2"	7/8"-14	7/8"-14	Ø12	Ø12



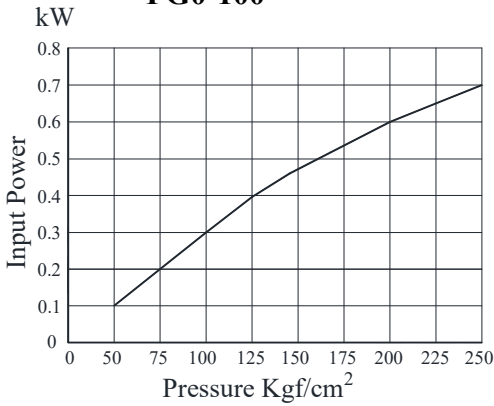
Inlet & Outlet for Flange Port

Speed Vs. Flow

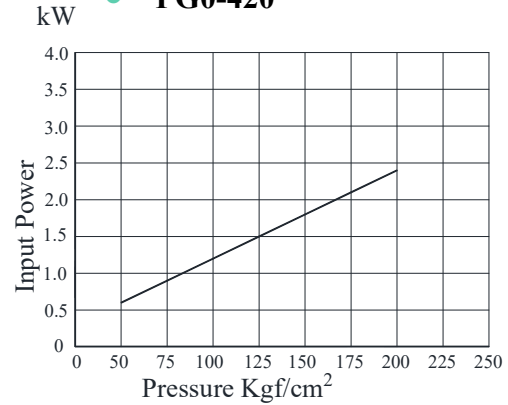


■ Pressure Vs. Input Power

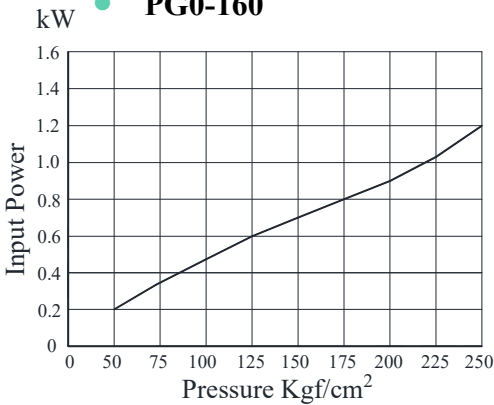
● PG0-100



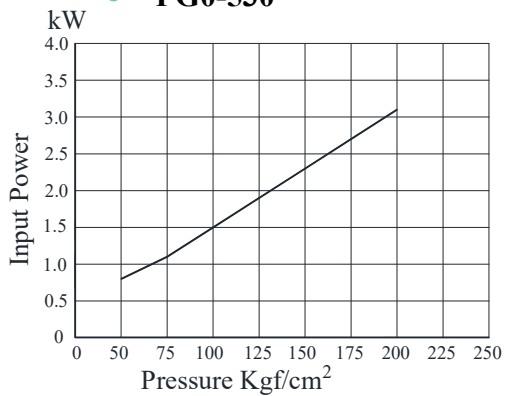
● PG0-420



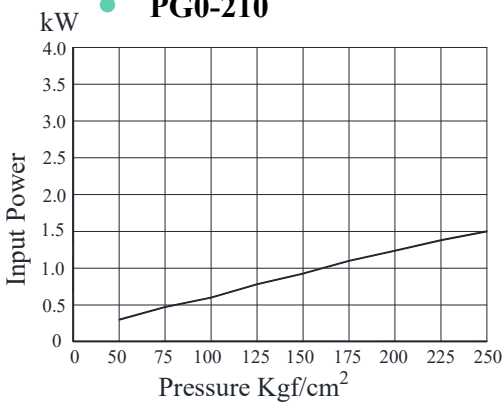
● PG0-160



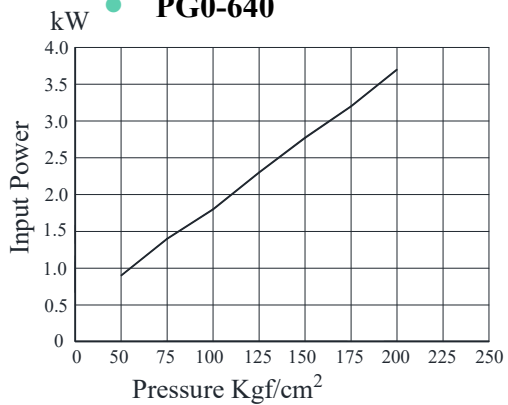
● PG0-530



● PG0-210



● PG0-640



● PG0-320

