

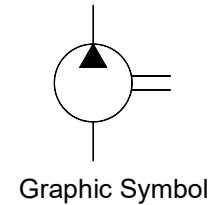
PG1-Series Gear Pumps

- High strength aluminum extruded body.
- Hardened and ground integral gear shaft.
- Special aluminum alloy bush bearing.
- Axially balanced for high volumetric efficiency in excess of 90%.
- 12 teeth design with modified profile for low noise.



Specifications

Model Number	Geometric Displacement cm ³ /rev.	Maximum Pressure Kgf/cm ²		Shaft Speed Range r/min.		Mass (Kg.) (Approx.)
		Continuous	Intermittent	Max.	Min.	
PG1-052	5.2	200	225	3000	600	3.30
PG1-066	6.6					3.40
PG1-084	8.4					3.50
PG1-093	9.3					3.60
PG1-109	10.9					3.70
PG1-120	12.0	190	215	2400	500	3.80
PG1-133	13.3					3.80
PG1-166	16.6					4.00
PG1-186	18.6					4.00
PG1-226	22.6	170	195			
PG1-267	26.7	140	160			



Model Number Designation

PG1	-052	-P	-1	-P	-B	-R	-30	80
Series	Size	Shaft	Mounting	Port	Driven Shaft Seal	Direction of Rotation (Viewed from Shaft End)	Design Number	Design Std.
PG1	052	P: Straight with Snap ring T: Taper shaft * U: SAE Spline * 9T 16/32 DP G: Tang Shaft *	1: SAE 'A'-2 Bolt 2: Rectangular 2 bolt * 3: Rectangular 4 bolt *	P: BSPF Port F4: Flange * Port 4 Holes	B: Nitrile V: Viton *	R: Clockwise L: Counter Clockwise	30	80
	066							
	084							
	093							
	109							
	120							
	133							
	166							
	186							
	226							
267								

* Consult factory for availability.

Spare Parts List

List of Seals

Sl No.	Name of Parts	Part Numbers		Qty.
		Nitrile	Viton	
1	Back up seal	B200 01 40	B200 01 40	2
2	Body End Seal	B200 01 41	B200 01 45	2
3	Oil Seal	B200 01 49	B200 01 27	1

Seals

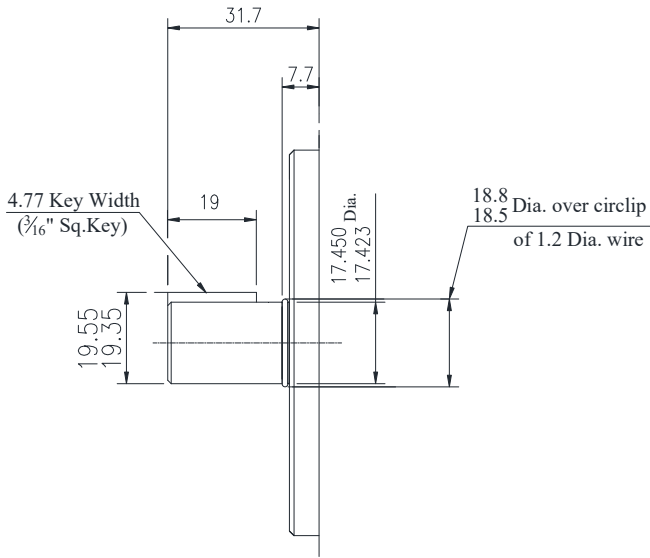
B: Nitrile (Temp. range:- 15°C + 80°C)
 V: Viton (Temp. range:- 10°C + 140°C)

Note: When ordering the seals, please specify the seal kit number
 KS-PG1-B for Nitrile
 KS-PG1-V for Viton

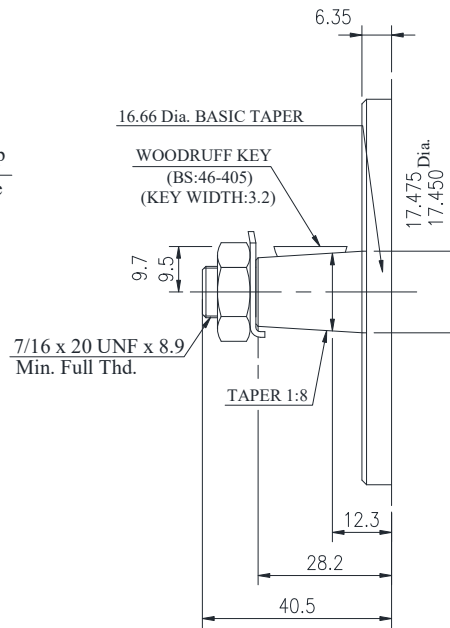
● Shaft Details

DIMENSIONS IN MILLIMETRES

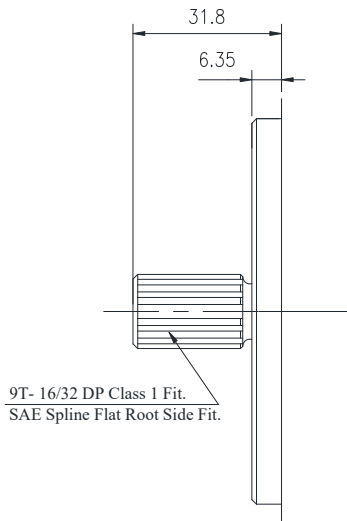
Option-P



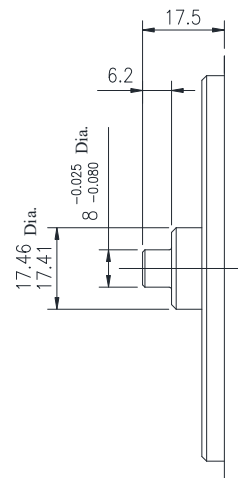
Option-T



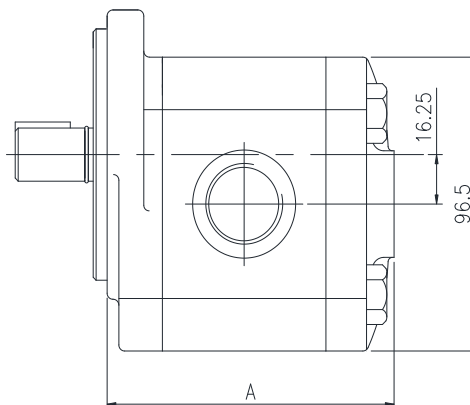
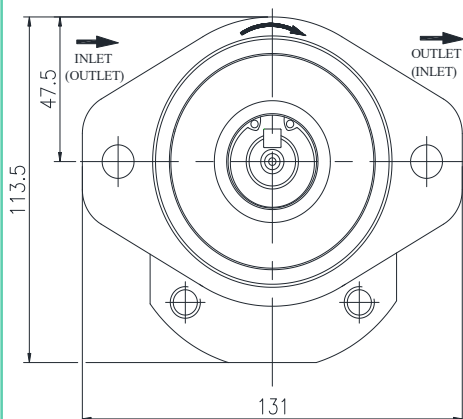
Option-U



Option-G



● PG1-***-**-1-P-**-**-3080

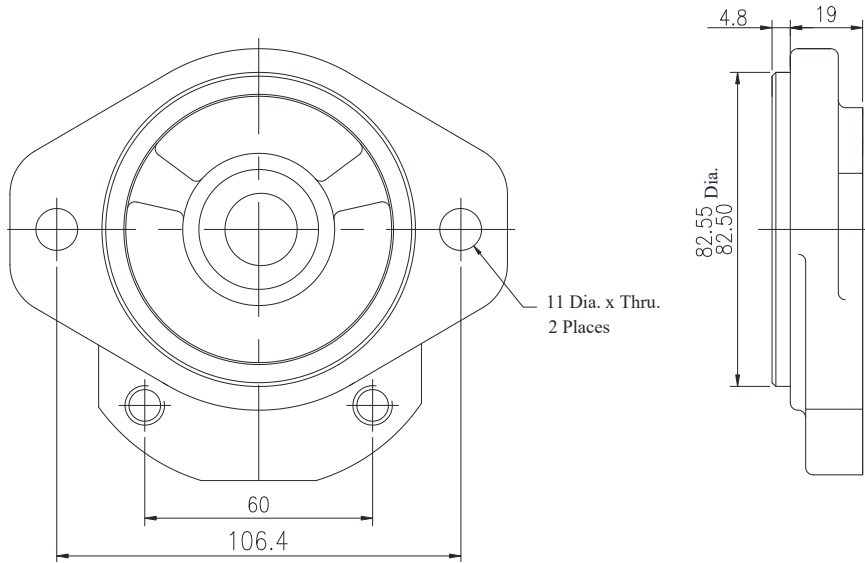


Model Number	A
PG1 - 052	87.7
PG1 - 066	90.8
PG1 - 084	94.3
PG1 - 093	96.0
PG1 - 109	99.1
PG1 - 120	101.2
PG1 - 133	103.7
PG1 - 166	110.2
PG1 - 186	113.9
PG1 - 226	121.6
PG1 - 267	129.6

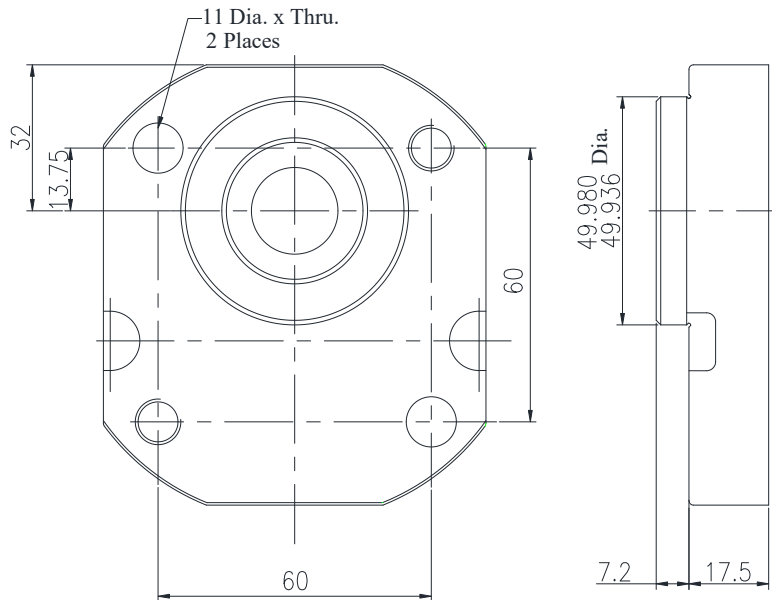
PG1 - Series Gear Pumps

- Mounting Details
- SAE 'A' -2 Bolt

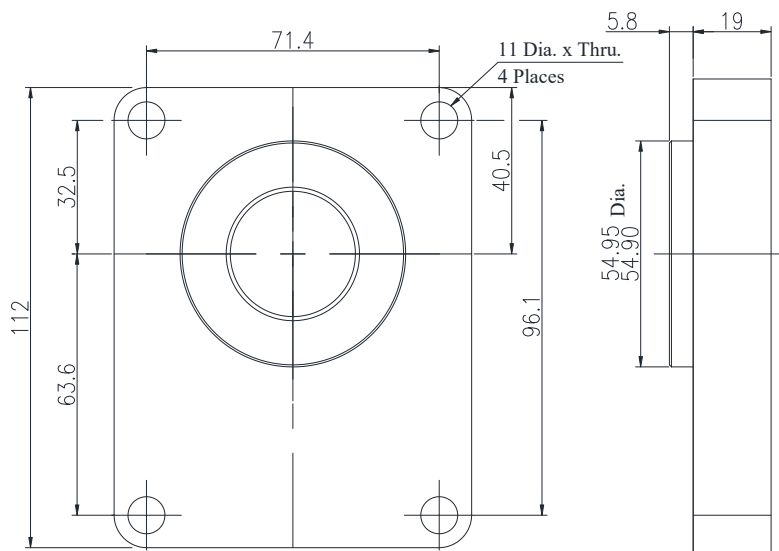
DIMENSIONS IN MILLIMETRES



- Rectangular-2 BOLT

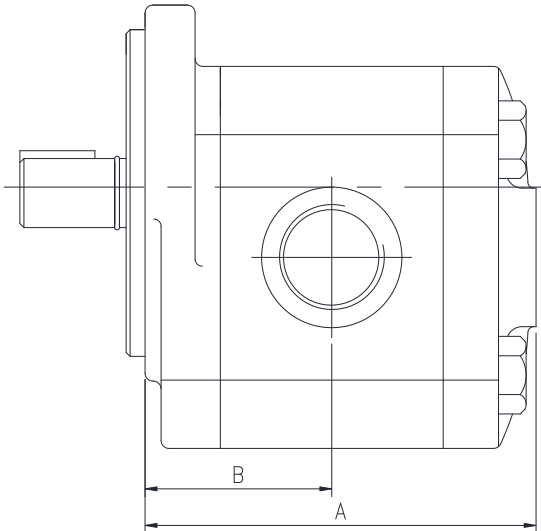


- Rectangular-4 BOLT



● P : BSPF Port

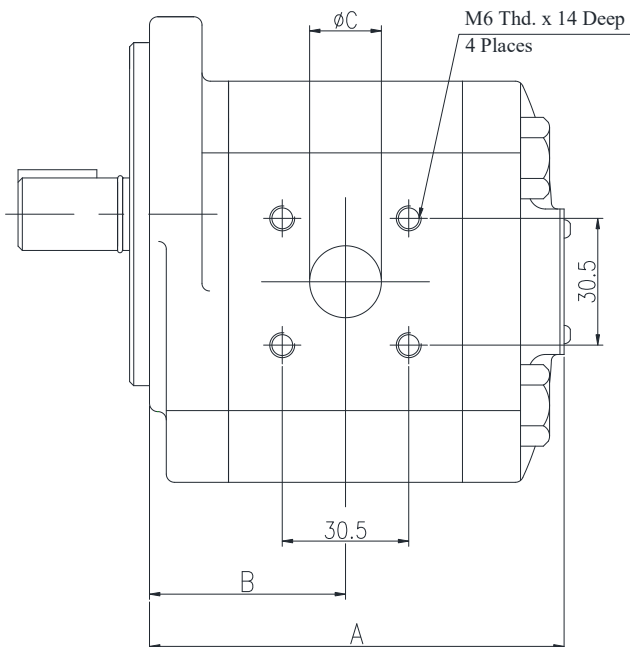
DIMENSIONS IN MILLIMETRES



Model Number	BSP.F Port Thd.		A	B
	INLET	OUTLET		
PG1 - 052	1/2"	1/2"	87.7	42.1
PG1 - 066	1/2"	1/2"	90.8	44.4
PG1 - 084	1/2 "	1/2"	94.3	46.2
PG1 - 093	1/2"	1/2"	96.0	47.0
PG1 - 109	1/2"	1/2"	99.1	48.6
PG1 - 120	3/4"	3/4"	101.2	49.6
PG1 - 133	3/4"	3/4"	103.7	50.9
PG1 - 166	3/4"	3/4"	110.2	54.1
PG1 - 186	3/4"	3/4"	113.9	56.0
PG1 - 226	3/4"	3/4"	121.6	59.8
PG1 - 267	3/4"	3/4"	129.6	63.8

● F4 : Flange Port - 4 Holes

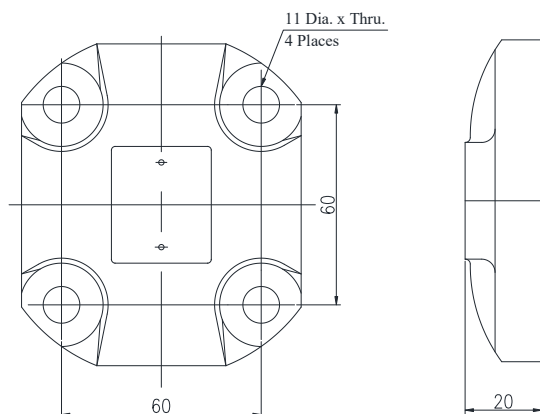
INLET & OUTLET PORTS ARE IDENTICAL



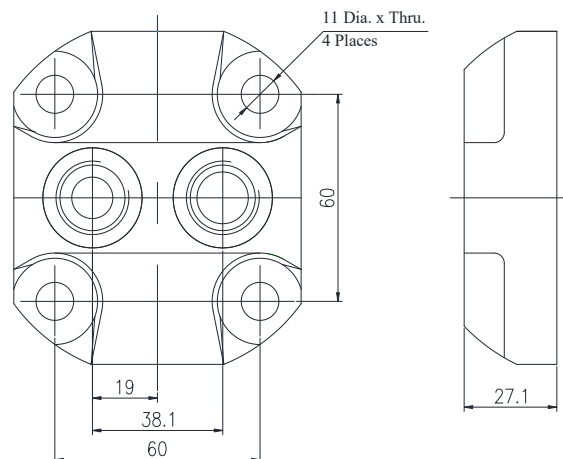
Model Number	Dimensions(mm)		
	A	B	ØC
PG1 - 052	87.7	42.1	17.5
PG1 - 066	90.8	44.4	17.5
PG1 - 084	94.3	46.2	17.5
PG1 - 093	96.0	47.0	17.5
PG1 - 109	99.1	48.6	17.5
PG1 - 120	101.2	49.6	17.5
PG1 - 133	103.7	50.9	20
PG1 - 166	110.2	54.1	20
PG1 - 186	113.9	56.0	20
PG1 - 226	121.6	59.8	20
PG1 - 267	129.6	63.8	20

■ End Cover

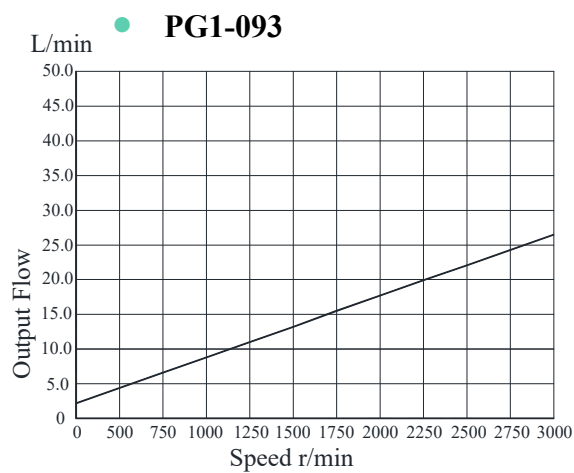
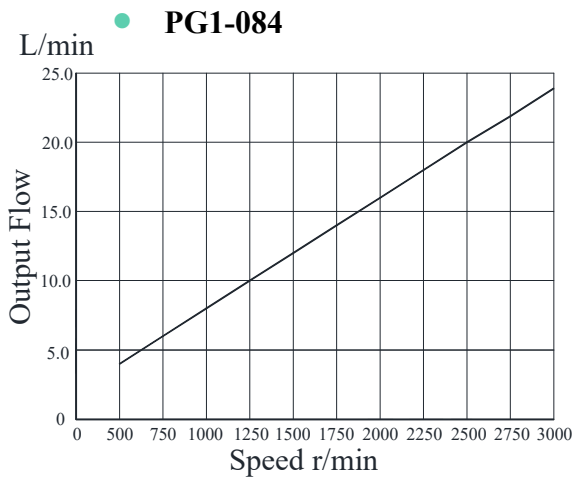
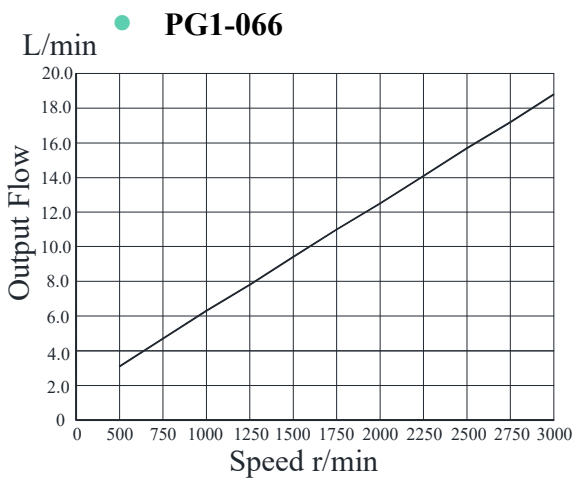
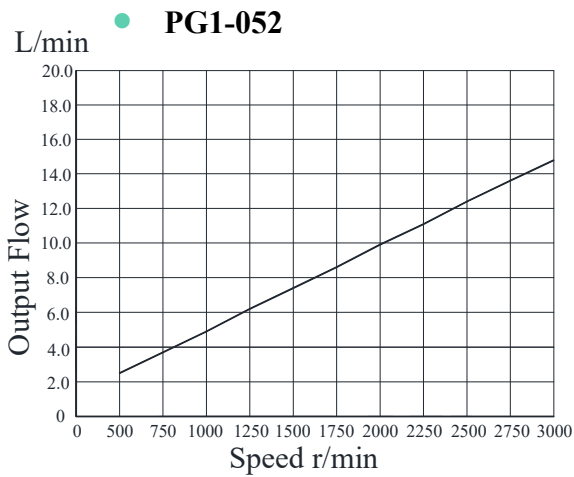
● E : End cover



● E : End cover with BSPF Ports

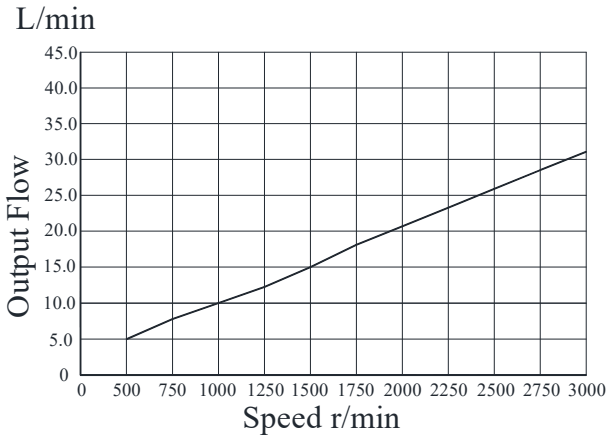


Speed Vs. Flow

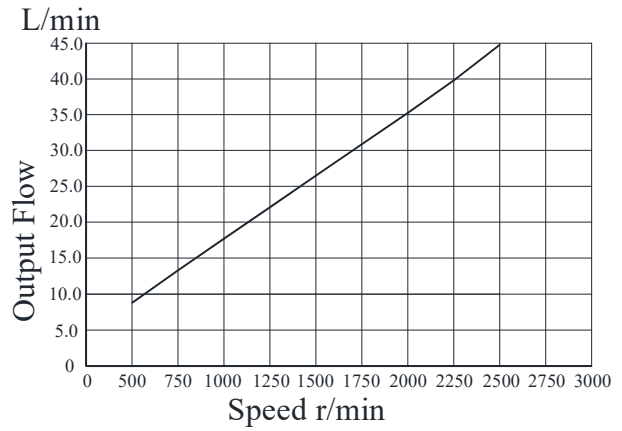


Speed Vs. Flow

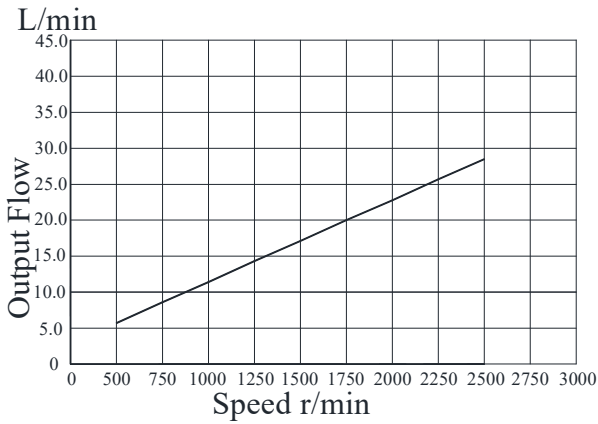
PG1-109



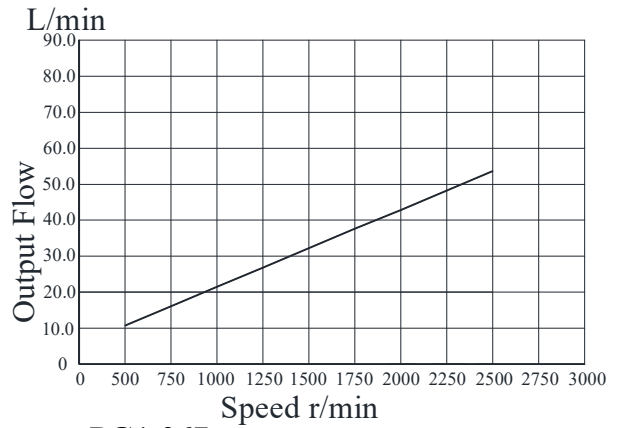
PG1-186



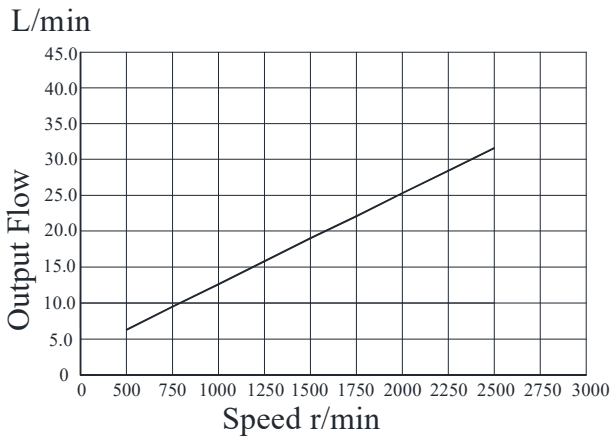
PG1-120



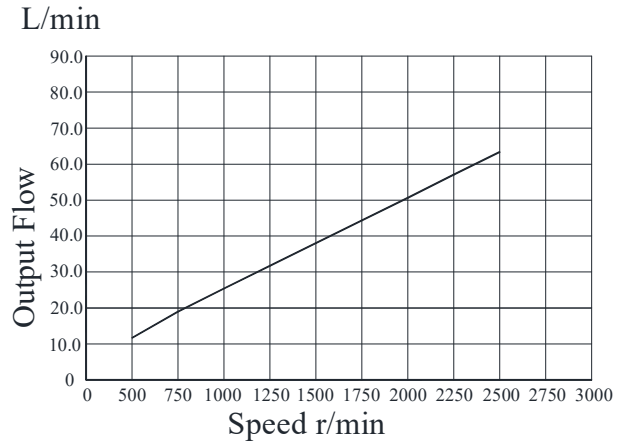
PG1-226



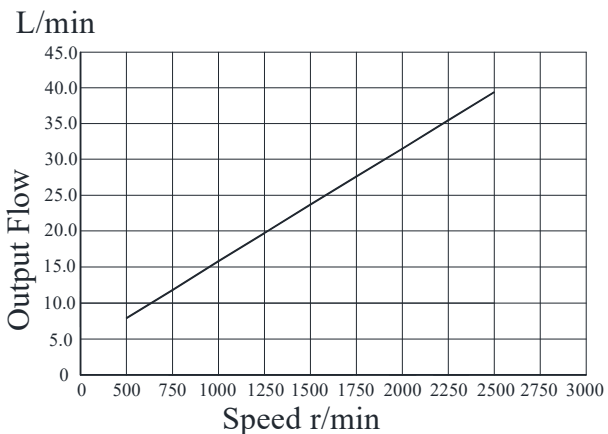
PG1-133



PG1-267

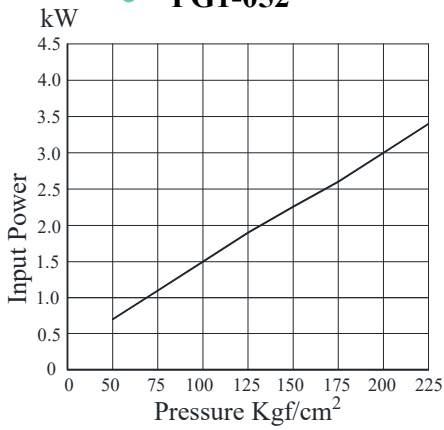


PG1-166

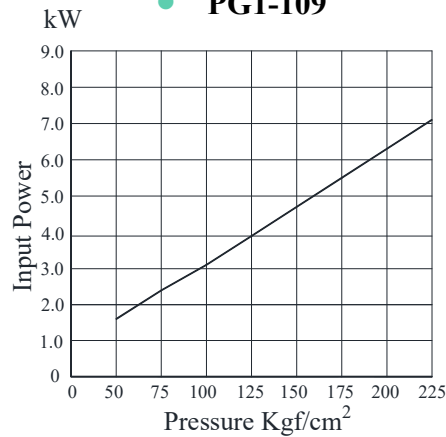


Pressure Vs. Input Power

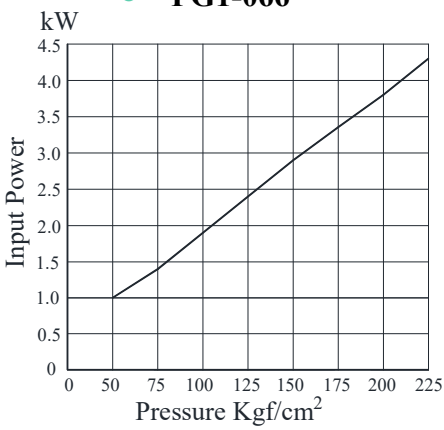
● **PG1-052**



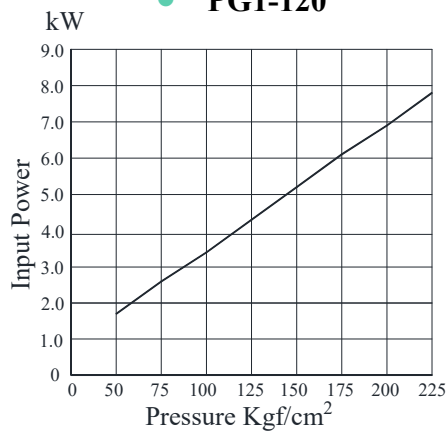
● **PG1-109**



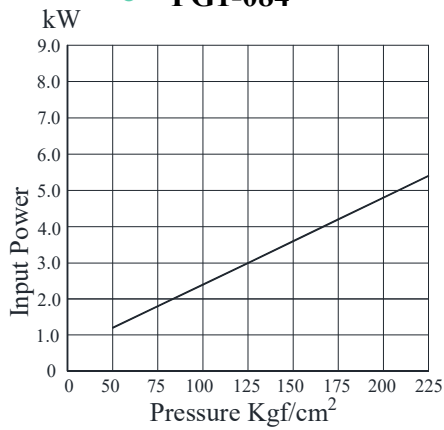
● **PG1-066**



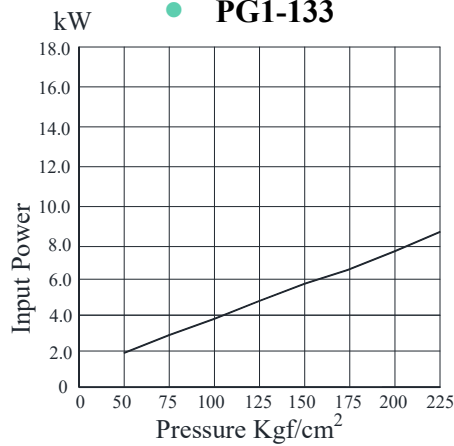
● **PG1-120**



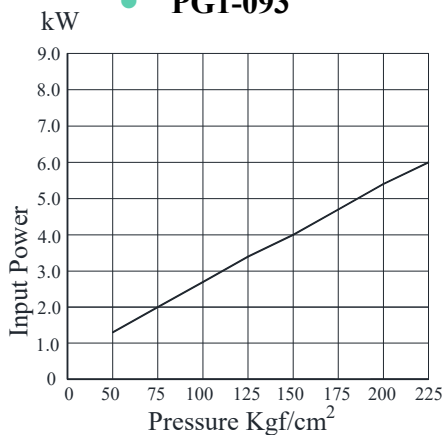
● **PG1-084**



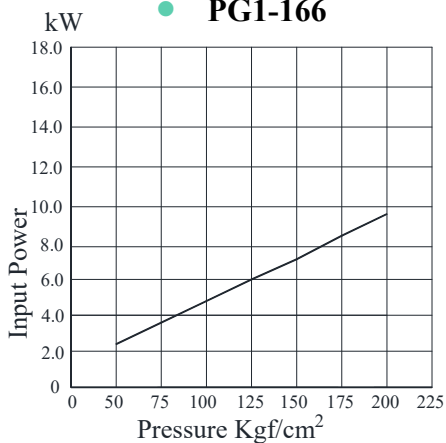
● **PG1-133**



● **PG1-093**

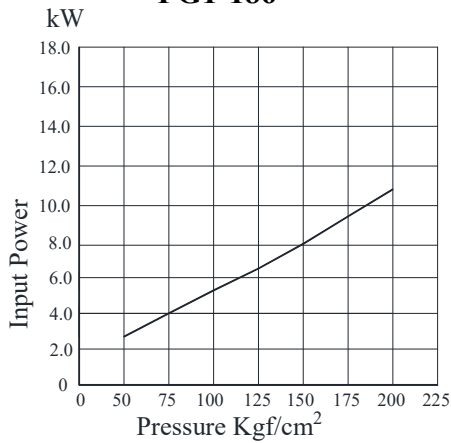


● **PG1-166**

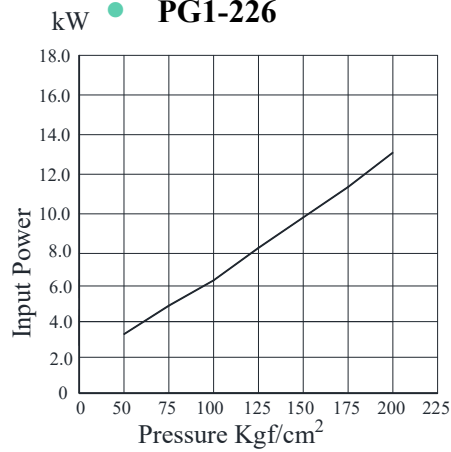


Pressure Vs. Input Power

● **PG1-186**



● **PG1-226**



● **PG1-267**

