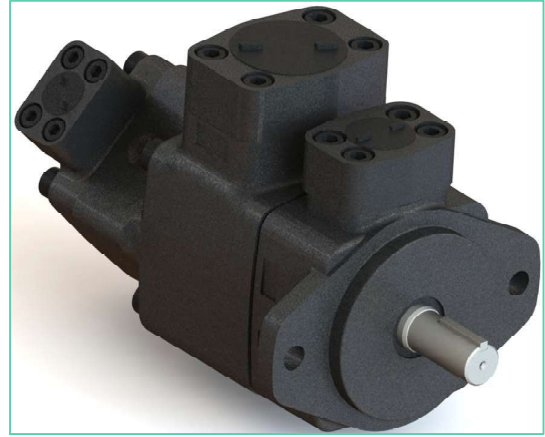
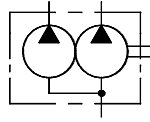


PVR 1050 Series Double Vane Pumps

These double pumps consist of one PVR1T and one PVR50 series single pumps combined in tandem within a single housing and driven by a common shaft. Fluid delivered from the two separate ports can be either supplied to separate or common circuits.



Graphic symbol



Specifications

Model Number	Small Volume Pump Geometric Displacement cm ³ /rev.	Large Volume Pump Geometric Displacement cm ³ /rev.	Max. Opr. Pressure Kgf/cm ²	Output Flow and Input Power	Shaft Speed Range r/min.		Mass (Approx) Kg.	
					Max.	Min.	Flange Mounting	Foot Mounting
PVR1050	Refer Specification in page No. 103	Refer Specification in Page No. 108	210	Refer Page 106, 107, 110, 111 & 112	1800	600	17.7	20.5

Model Number Designation

F-	PVR1050	-L	-F	-4	-39	-R	E	A	A	-12	80
Special Seals **	Series Number	Mounting	Type of Pipe Connection	Small Volume Pump Nominal Delivery	Large Volume Pump Nominal Delivery	Direction of Rotation	Small Volume Pump Discharge Position	Large Volume Pump Discharge Position	Suction Port Position	Design * No.	Design Std.
				4, 6 8, 10 12, 15 17	13, 20 26, 30 36, 39 45, 51	As viewed from shaft end					
F: For Phosphate Ester Type Fluids. (omit if not required)	PVR1050	L: Foot Mounting F: Flange Mounting	F: Flange Connection			R: Clockwise (Normal) L: Anticlockwise				12	80

* Design numbers subject to change from 10 to 19, but installation dimensions remain as shown.

* For instructions regarding changing the port positions, consult YUKEN INDIA LTD.

** Before ordering the Special Seals, consult YUKEN INDIA LTD.

Cartridge Kit Model Number

● Large Volume Pump

CPVR1050	-13	-R	-10
Model Number	Nominal Delivery	Shaft Rotation	Design No.
CPVR1050	13	R: Clockwise (Normal)	10
	20		
	26		
	30	L: Counter-Clockwise	
	36		
	39		
	45		
51			

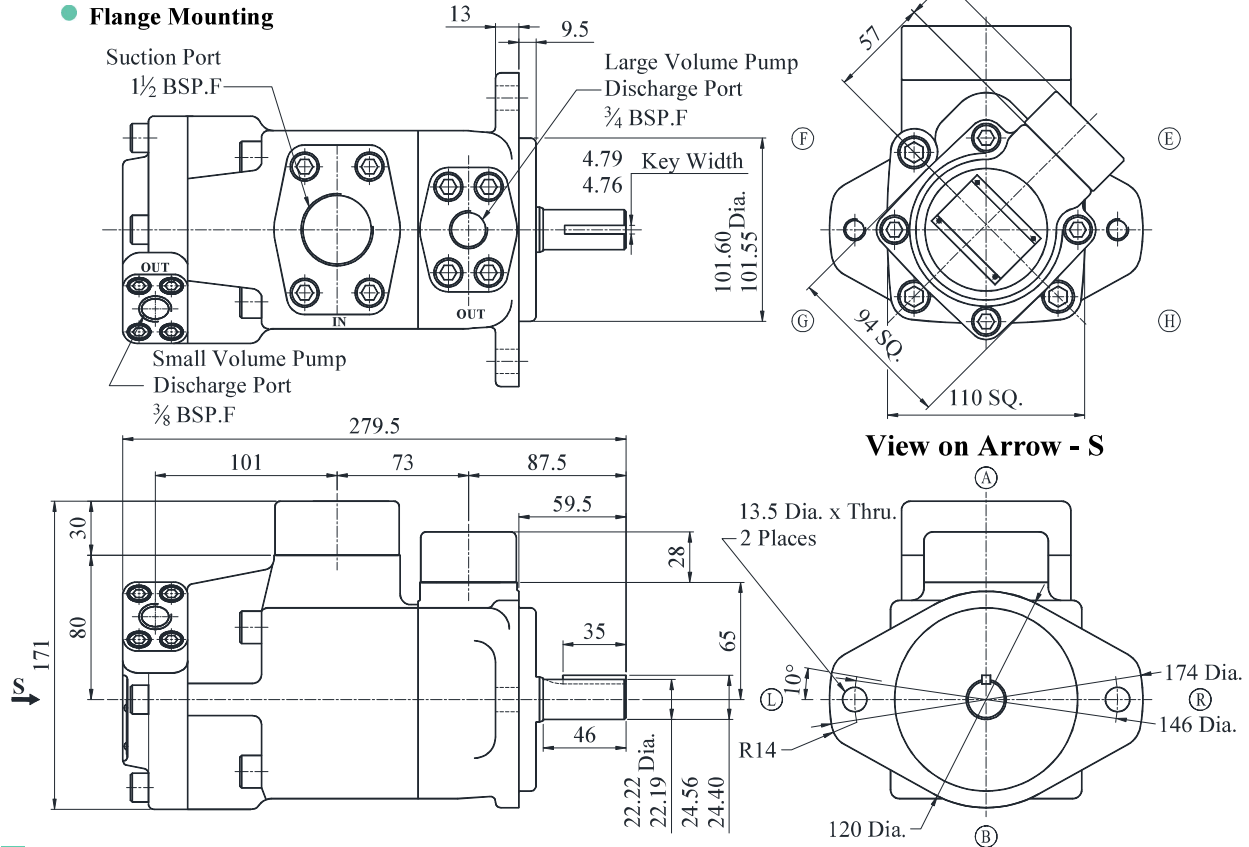
● Small Volume Pump

CPVR1050	-4	-R	-20
Model Number	Nominal Delivery	Shaft Rotation	Design No.
CPVR1050	4	R: Clockwise (Normal)	20
	6		
	8		
	10	L: Counter-Clockwise	
	12		
	15		
	17		

* For instructions regarding replacing cartridge kit, consult YUKEN INDIA LTD.

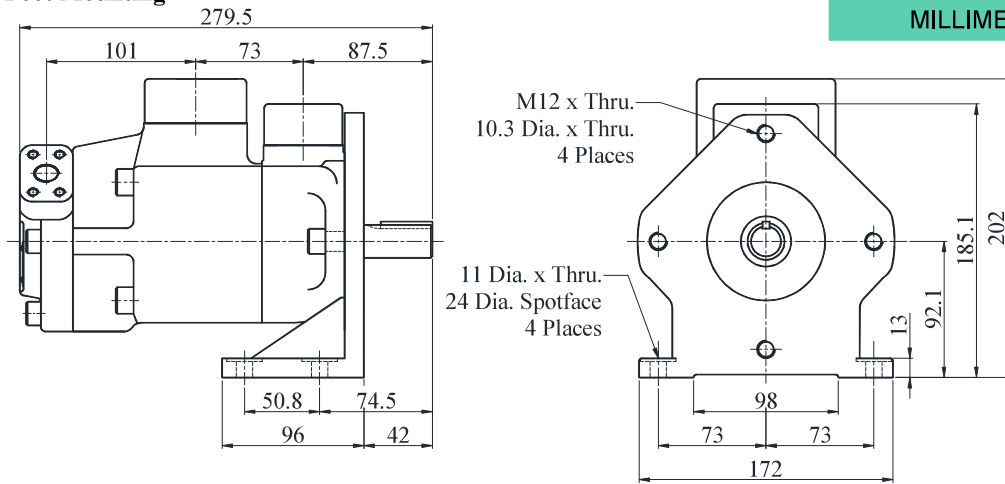
PVR1050-F-F-※-※-※※※※-1280

● **Flange Mounting**



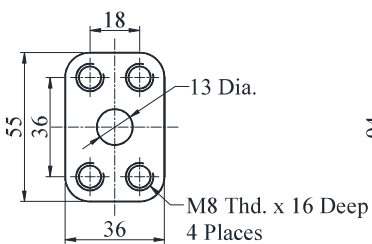
PVR1050-L-F-※-※-※※※※-1280

● **Foot Mounting**

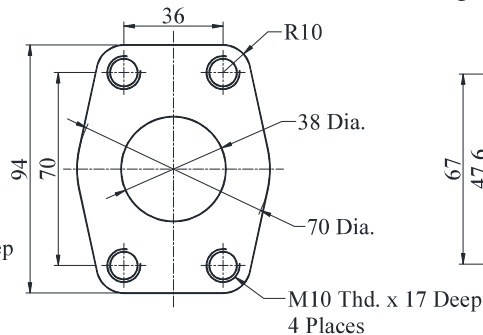


For Reference: Dimensions of Pipe Flange Mounting Surfaces

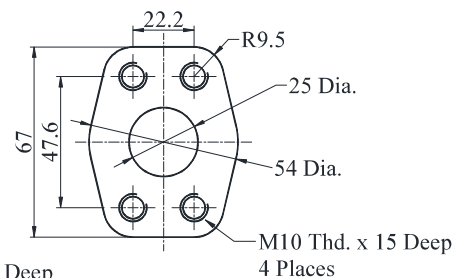
Small Volume Pump Discharge Port



Suction Port



Large Volume Pump Discharge Port



“PVR” Series Double Vane Pumps

■ Flanges

Note: Please refer page no. 725 for flange details.

■ Spare Parts List

● List of Seals

Sl. No.	Name of Part	Part number	Qty.
1	O-Ring	SO-NB-G35	1
2	O-Ring	SO-NA-P41	1
3	O-Ring	SO-NB-G60	1
4	O-Ring	SO-NA-G80	1
5	O-Ring	SO-NB-G80	1
6	O-Ring	SO-NB-G85	1
7	Backup-Ring	SO-BB-P41	1
8	Backup-Ring	SO-BB-G80	1
9	Oil Seal	ISPD 25388	1

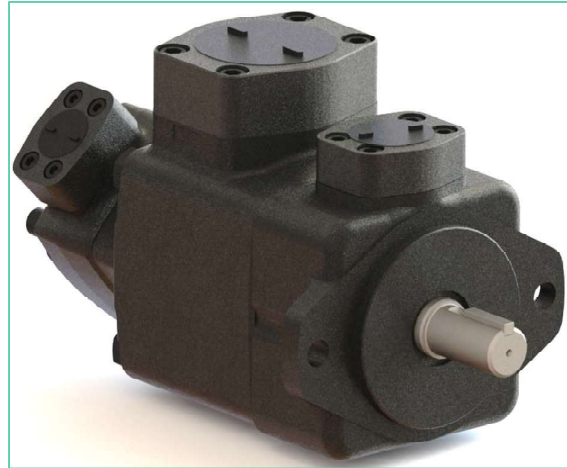
Note: When ordering the seals, please specify the seal kit number KS-PVR1050-1180.

B

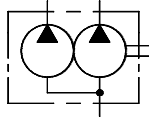
PVR Series
Double Vane Pumps

PVR 50150 Series Double Vane Pumps

These double pumps consist of one PVR 50 and one PVR 150 series single pumps combined in tandem within a single housing and driven by a common shaft. Fluid delivered from the two separate ports can be either supplied to separate or common circuits. These pumps are used in mobile application.



Graphic symbol



Specifications

Model Number	Small Volume Pump Geometric Displacement cm ³ /rev.	Large Volume Pump Geometric Displacement cm ³ /rev.	Max. Opr. Pressure Kg/cm ²	Output Flow and Input Power	Shaft Speed Range r/min		Mass (Approx) Kg.	
					Max.	Min.	Flange Mounting	Foot Mounting
PVR50150	Refer Specification in Page No. 108	Refer Specification in Page No. 113	210	Refer Page 110, 111, 112, 115 & 116	1800*	600	42.5	49

* For speeds above 1500 r/min. consult factory for information.

Model Number Designation

F-	PVR50150	-L	-F	-13	-60	-R	E	A	A	-16	80
Special Seals **	Series Number	Mounting	Type of Pipe Connection	Small Volume Pump Nominal Delivery	Large Volume Pump Nominal Delivery	Direction of Rotation	Small Volume Pump Discharge Position	Large Volume Pump Discharge Position	Suction Port Position	Design * No.	Design Std
F: For Phosphate Ester Type Fluids. (omit if not required)	PVR50150	L: Foot Mounting F: Flange Mounting	F: Flange Connection	13, 20 26, 30 36, 39 45, 51	60, 70 90, 110 140, 170	R: Clockwise (Normal) L: Anticlockwise				16	80

* Design numbers subject to change from 10 to 19, but installation dimensions remain as shown.

* For instructions regarding changing the port positions, consult YUKEN INDIA LTD.

** Before ordering the Special Seals, consult YUKEN INDIA LTD.

Cartridge Kit Model Number

● Large Volume Pump

CPVR150	-60	-R	-33
Model Number	Nominal Delivery	Shaft Rotation	Design No.
CPVR150	60	R: Clockwise (Normal)	33
	70		
	90		
	110	L: Counter-Clockwise	
	140		
	170		

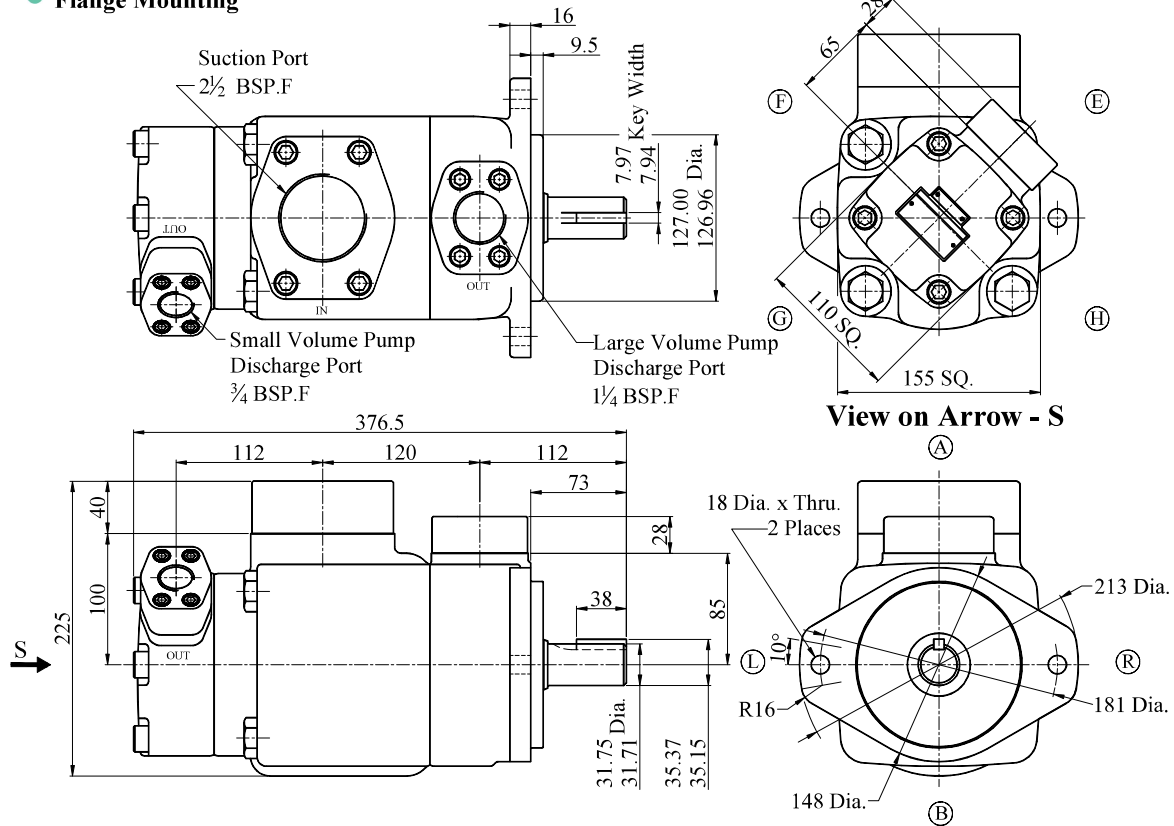
● Small Volume Pump

CPVR50150	-13	-R	-14
Model Number	Nominal Delivery	Shaft Rotation	Design No.
CPVR50150	13	R: Clockwise (Normal)	14
	20		
	26		
	30		
	36	L: Counter-Clockwise	
	39		
	45		
	51		

* For instructions regarding replacing cartridge kit, consult YUKEN INDIA LTD.

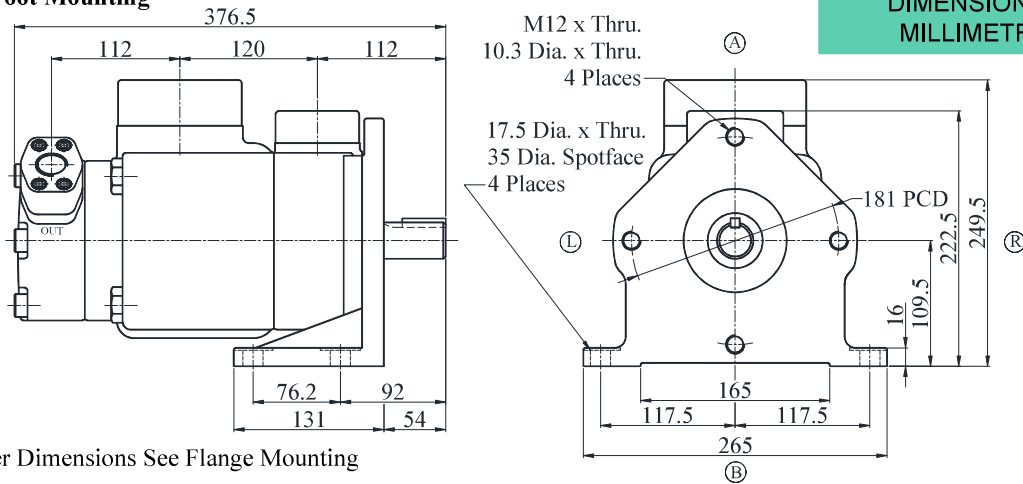
PVR50150-F-F-※-※-※※※※※-1680

● **Flange Mounting**



PVR50150-L-F-※-※-※※※※※-1680

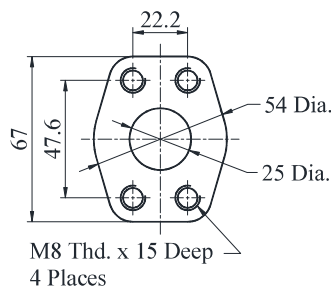
● **Foot Mounting**



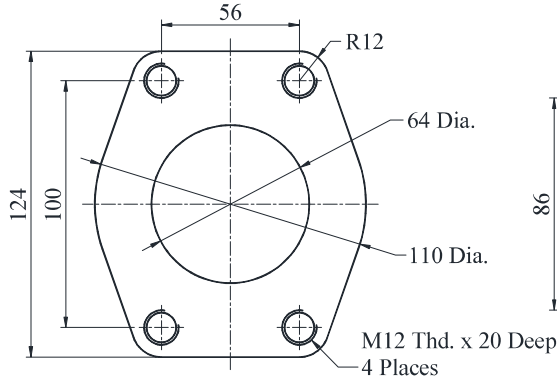
For Other Dimensions See Flange Mounting

For Reference: Dimensions of Pipe Flange Mounting Surfaces

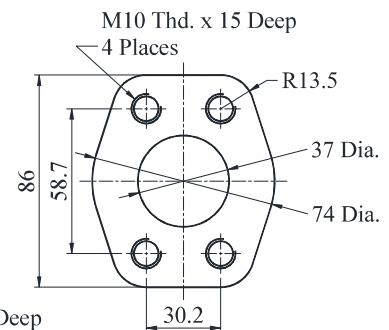
Small Volume Pump Discharge Port



Suction Port



Large Volume Pump Discharge Port



“PVR” Series Double Vane Pumps

Cartridge Kit Model Number

Pump Model Numbers	Cartridge Kit Number #	
	Small Volume Pump	Large Volume Pump
PVR1050-※-F-10-※-R※※※-1280	CPVR1050-10-R-20	CPVR1050-※-R-10
PVR1050-※-F-12-※-R※※※-1280	CPVR1050-12-R-20	
PVR1050-※-F-15-※-R※※※-1280	CPVR1050-15-R-20	
PVR1050-※-F-17-※-R※※※-1280	CPVR1050-17-R-20	
PVR50150-※-F-20-※-R※※※-1680	CPVR50150-20-L-14	CPVR150-※-R-33
PVR50150-※-F-30-※-R※※※-1680	CPVR50150-30-L-14	
PVR50150-※-F-36-※-R※※※-1680	CPVR50150-36-L-14	
PVR50150-※-F-39-※-R※※※-1680	CPVR50150-39-L-14	
PVR50150-※-F-45-※-R※※※-1680	CPVR50150-45-L-14	
PVR50150-※-F-51-※-R※※※-1680	CPVR50150-51-L-14	

* For instructions regarding replacing cartridge kit, consult YUKEN INDIA LTD.

The above table does not include all combinations of cartridges available.

Only a few representative samples are shown.

Flanges

Note: Please refer page no. 749 for flange details.

Spare Parts List

List of Seals

Sl. No.	Name of Part	Part number	Qty.
1	O-Ring	ARP 568-231	1
2	O-Ring	SO-NA-P41	1
3	O-Ring	SO-NA-G80	1
4	O-Ring	SO-NB-G85	1
5	O-Ring	SO-NA-G120Y	1
6	O-Ring	SO-NB-G125	1
7	Backup-Ring	SO-BB-G120	1
8	Backup-Ring	JIS W 1516-G9	1
9	Backup-Ring	SO-BB-G80	1
10	Backup-Ring	SO-BB-P41	1
11	Oil Seal	TC 38558-7	1

Note: When ordering the seals, please specify the seal kit number KS-PVR50150-1580.