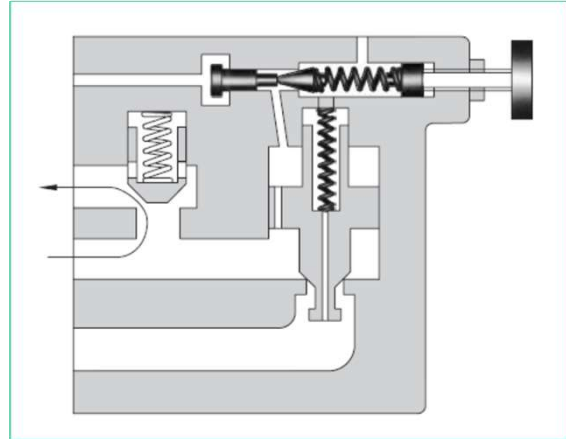


**■ Unloading Relief valves**

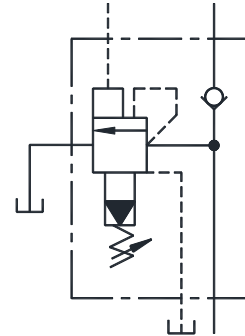
Unloading relief valves are used to operate pumps under a minimum load in accumulator or 2-pressure pump circuits etc.



**■ Specifications**

Model Number	Max. Operating Pressure Kgf/cm <sup>2</sup>	Max. Flow L/min.	Mass Kg.
BUCG-06-※-※-3080	210	125	12

Graphic Symbol



**■ Model Number Designation**

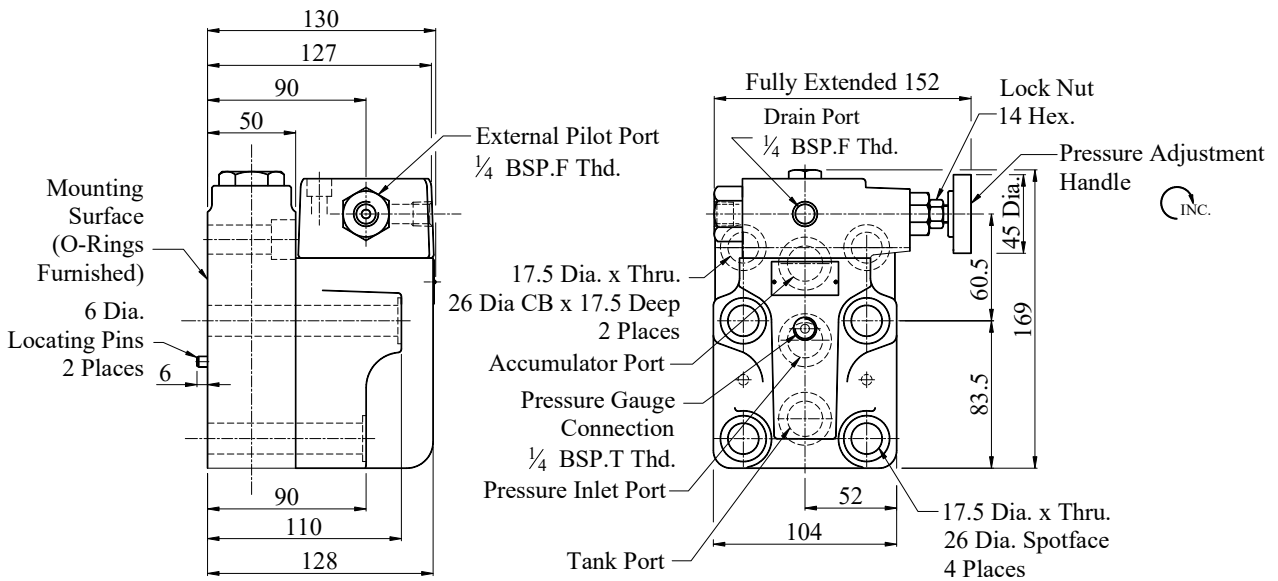
<b>F-</b>	<b>BUC</b>	<b>G</b>	<b>-06</b>	<b>-B</b>	<b>V</b>	<b>-30</b>	<b>80</b>
Special Seals **	Series Number	Type of Mounting	Valve Size	Cut-out Pres. Adj. Range Kgf/cm <sup>2</sup>	High Venting *1 Pres. Feature	Design Number	Design Standards
<b>F:</b> Special Seals for Phosphate Ester Type Fluids. (Omit if not required)	<b>BUC:</b> Unloading Relief Valves	<b>G:</b> Sub-Plate Mounting	<b>06</b>	<b>B:</b> 25~70 <b>C:</b> 35~140 <b>H:</b> 70~210	<b>V:</b> For High Venting Pressure Feature (Omit if not required)	<b>30</b>	<b>80</b>

\*1 Use the high venting pressure type to reduce the shift time from unloading to onloading.

\*\* Before ordering the Special Seals, consult YUKEN INDIA LTD.

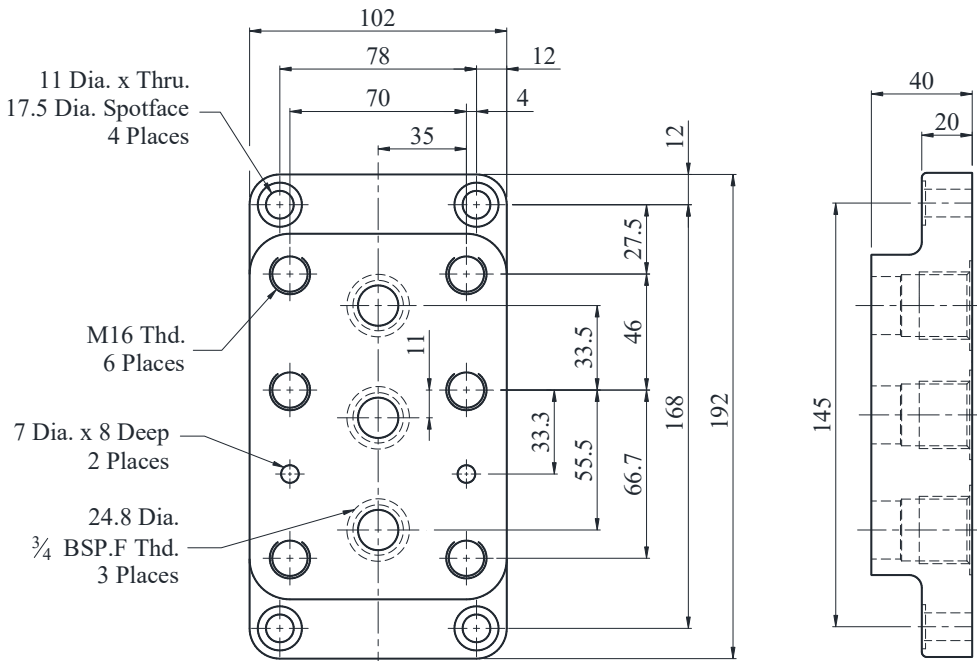
● BUCG-06-※-※-3080

Model Number	“A” Thd.	“B” Thd.
BUCG-06-※※-3080	1/4 BSP.Tr	1/4 BSP.F



DIMENSIONS IN MILLIMETRES

● Sub-Plate: BUCGM-06-2080



C  
Unloading Relief Valves

**■ Unloading Relief Valves**

● **Mounting Bolts**

Valve Model Number	Socket head Cap Screw	Qty.	Blot Kit Ordering Code
BUCG-06	M16 x 55 Lg.	2 Nos.	BKBUCG-06-20
	M16 x 110 Lg.	2 Nos.	
	M16 x 130 Lg.	2 Nos.	

**■ Instructions**

- To adjust the pressure, loosen the lock nut and turn the pressure adjustment handle slowly clockwise for higher pressures or anti-clockwise for lower pressures. After adjustments, do not forget to tighten the lock nut.
- Take care not to neglect connecting the drain pipe to the tank; otherwise not only will the valve fail to operate properly but also the line pressure will rise infinitely. Extend the end of the drain pipe into fluid.
- Limit the pressure drop between the valve and the accumulator in a accumulator circuit below 10% of the cut-out pressure.
- Limit the drain port back pressure below 2% of the cut-out pressure.

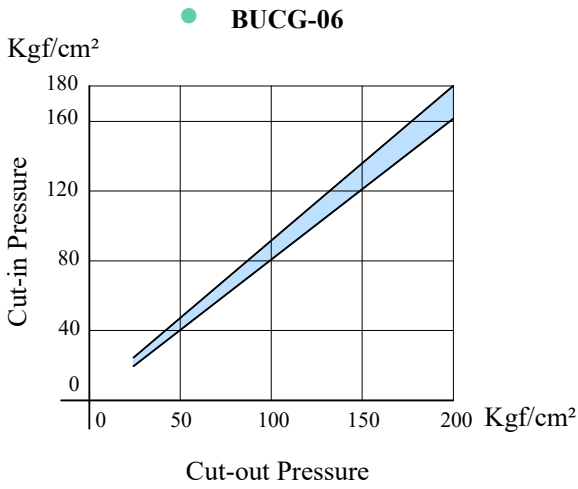
**■ Sub-plate**

Valve Model Number	Sub-Plate Model Number	Thread Size	Mass Kg.
BUCG-06	BUCGM-06-2080	3/4 BSP.F	4.4

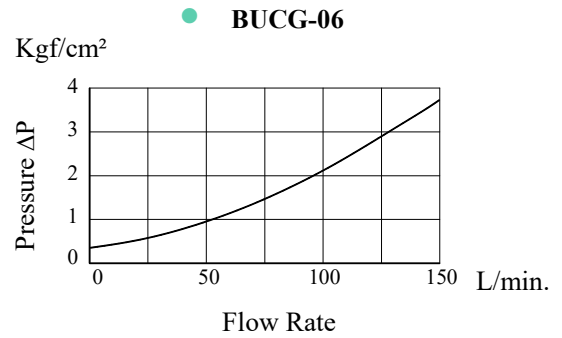
\* Sub-plates are available. Specify sub-plate model from the table above. When sub-plates are not used, the mounting surface should have a good machined finish.

Typical Performance Characteristics Oil Viscosity 35 cSt [ISO VG 46, 50°C]

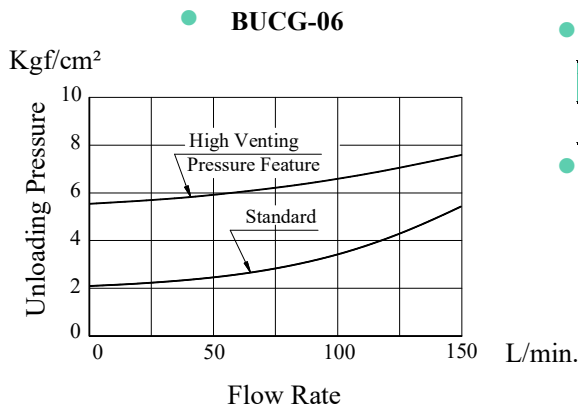
**Cut-in Pressure Vs. Cut-out Pressure**



**Pressure Drop for Check Valve**



**Unloading Pressure Vs. Flow**



For any other viscosity, multiply the factors in the table below.

Viscosity cSt	15	20	30	40	50	60	70	80	90	100
Factor	0.81	0.87	0.96	1.03	1.09	1.14	1.19	1.23	1.27	1.30

For any other specific gravity (G'), the pressure drop (ΔP') is obtained from the formula below.  
 $\Delta P' = \Delta P (G'/0.85)$

**Spare Parts List**

**List of Seals**

Sl. No.	Name of Parts	Part number	Quantity
1	O-Ring	SO-NB-P6	3
2	O-Ring	SO-NA-P9	1
3	O-Ring	SO-NB-P11	1
4	O-Ring	SO-NB-P12	1
5	O-Ring	SO-NB-P18	1
6	O-Ring	SO-NB-P24	1
7	O-Ring	SO-NB-P28	5
8	O-Ring	SO-NB-P32	1

Note : When ordering the seals, please specify the seal kit number KS-BUCG-06-30