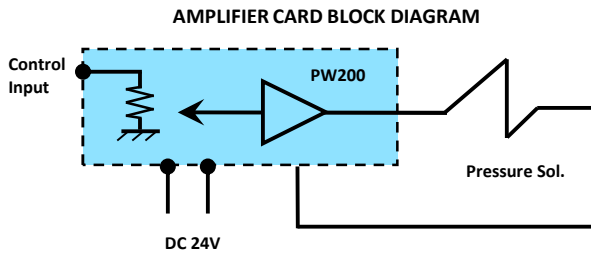


Proportional Valve Controller PW200 series

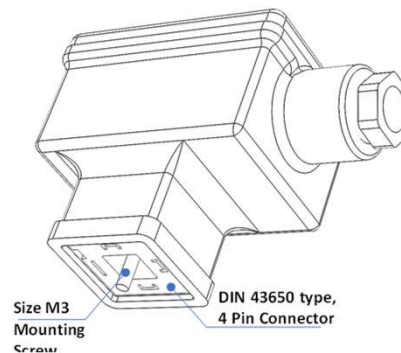
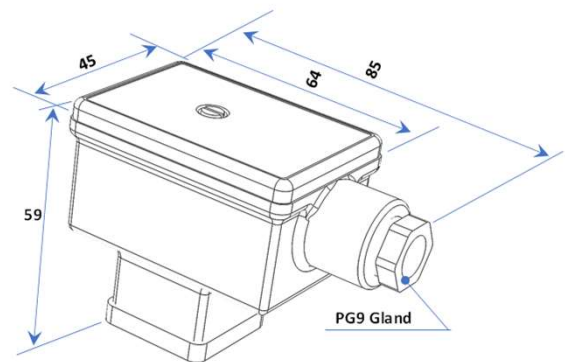
These power amplifiers are used to drive the proportional electro-hydraulic pilot pressure relief valves, specifically designed for use with the Yuken EDG series. The units can be directly mounted on the valve, reducing wiring and saving on space inside the control panel. This effectively converts a conventional proportional valve into a 'onboard electronics (OBE) kind of a valve.



□ Ratings

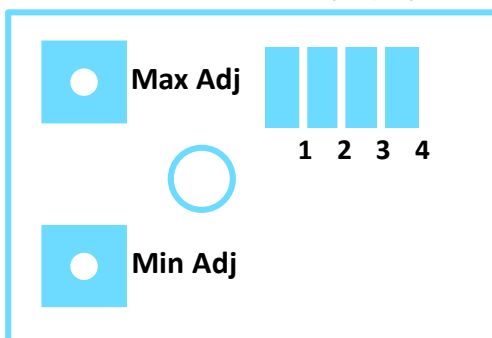
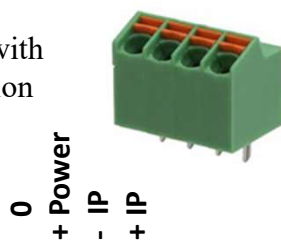
Description	PW200-V	PW200-A
Type	Voltage Control	Current Control
No. of Channels	1	
Power Supply	24 VDC±10%	
Input Control Range	0 – 10V DC	4 – 20 mA
Max. Output Current	1A (10Ω Solenoid)	
Input Impedance	20KΩ	250Ω
Ingress Protection	Equivalent to IP65	

□ Mounting Details



□ Wiring Details

Terminal blocks with 'push-in' connection



□ Recommended Cable Sizes:

Ferrules Size: 0.25-0.5 mm²
 Stranded Cable : 0.25-0.5 mm² (20 – 24 AWG)